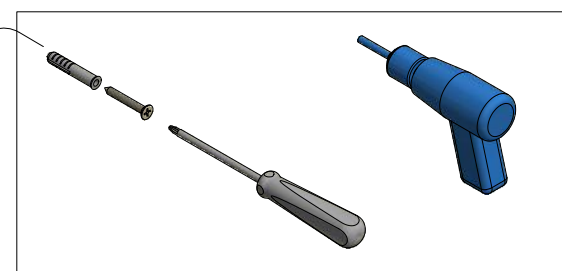
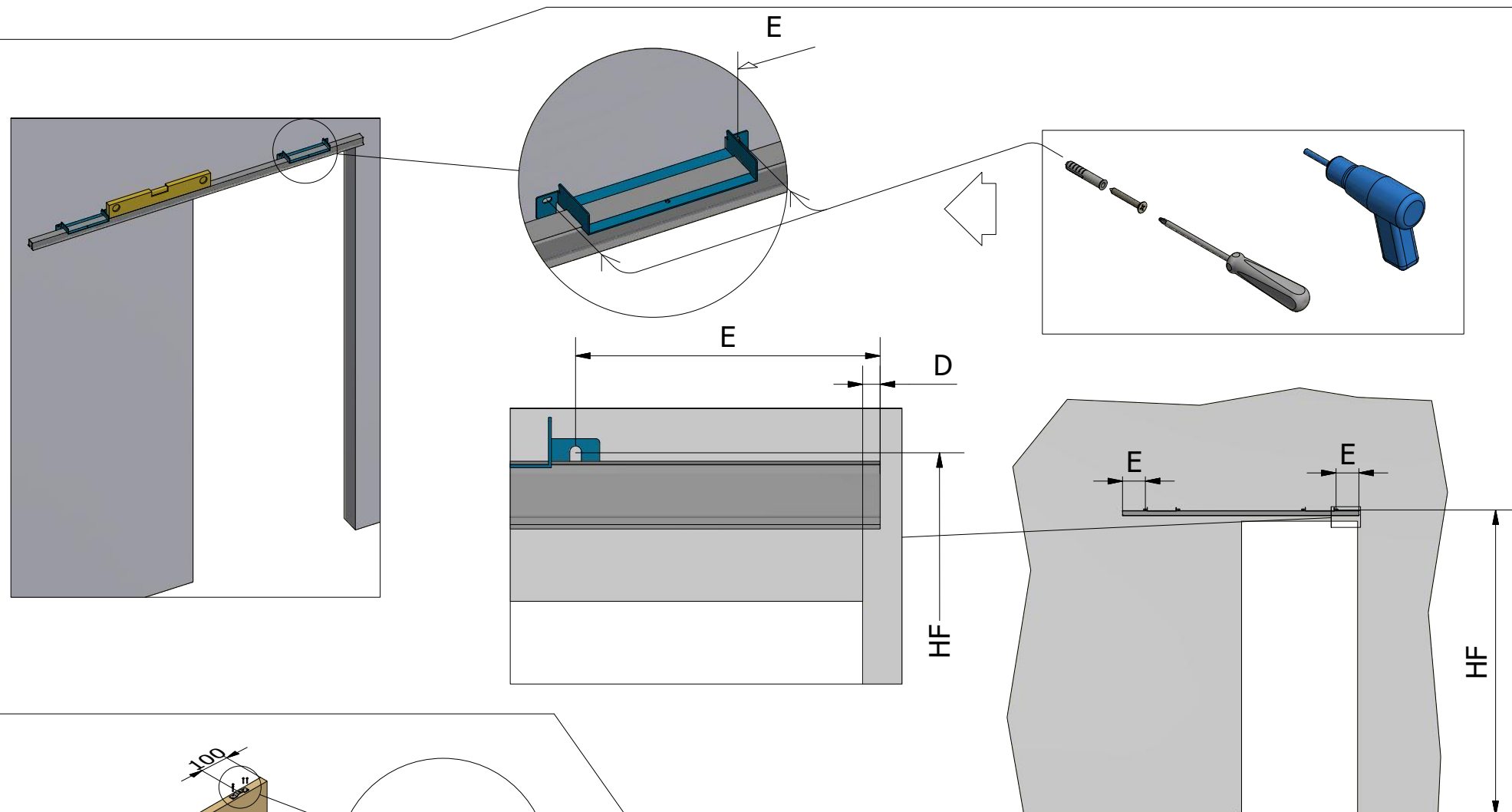
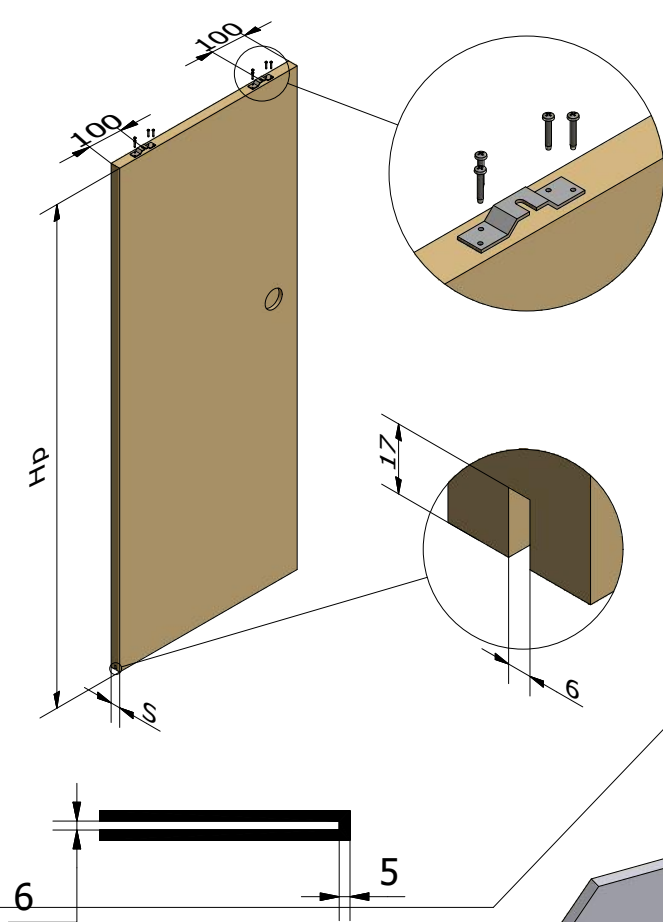


2

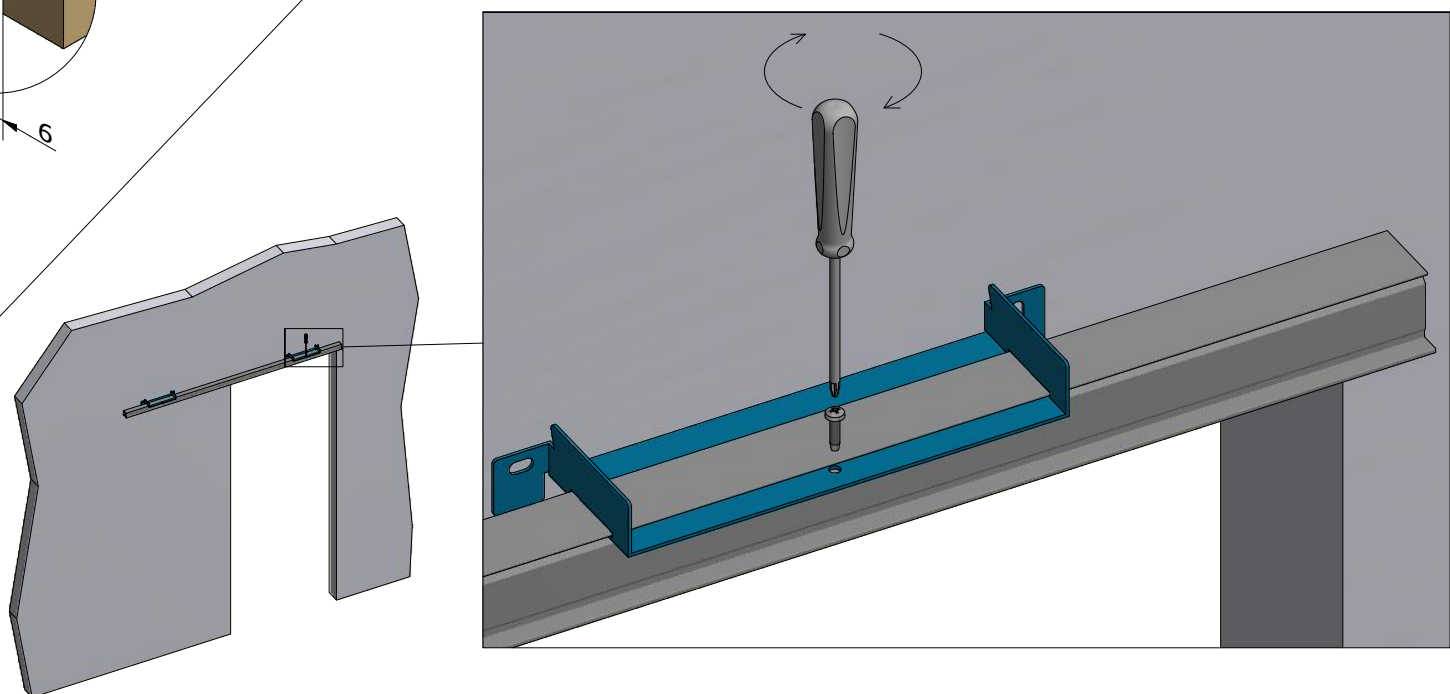


3

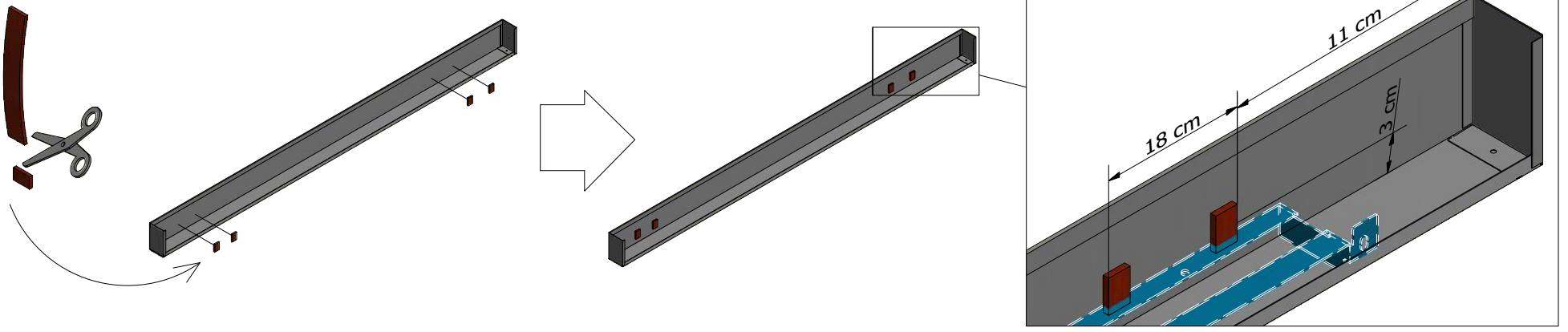


HF (cm)	D (cm)	E (cm)	S (cm)
Hp + 8	1.5	12	4

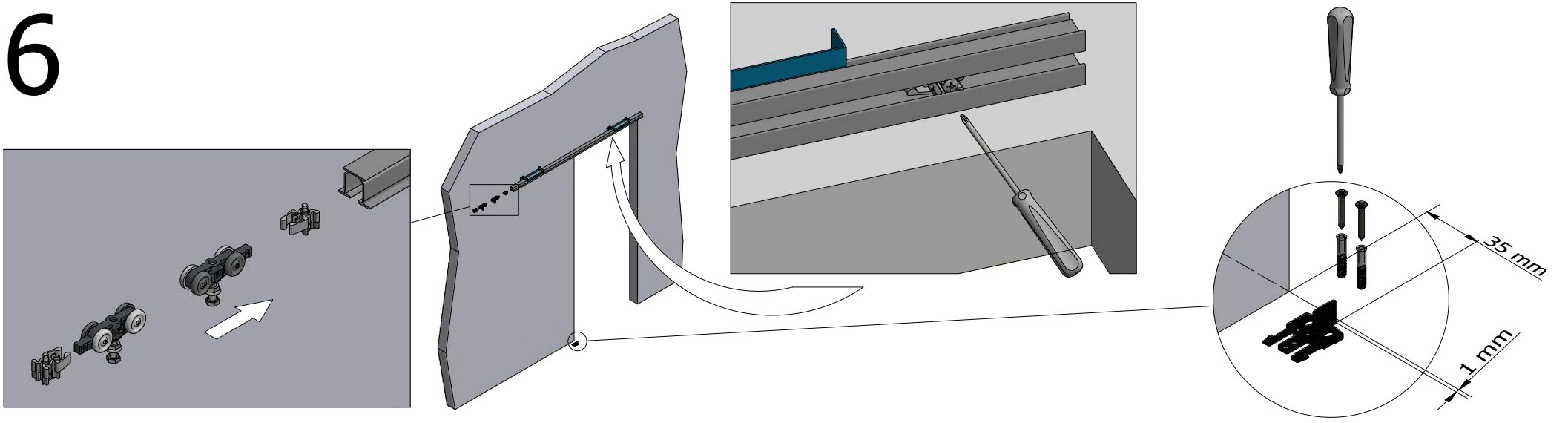
4



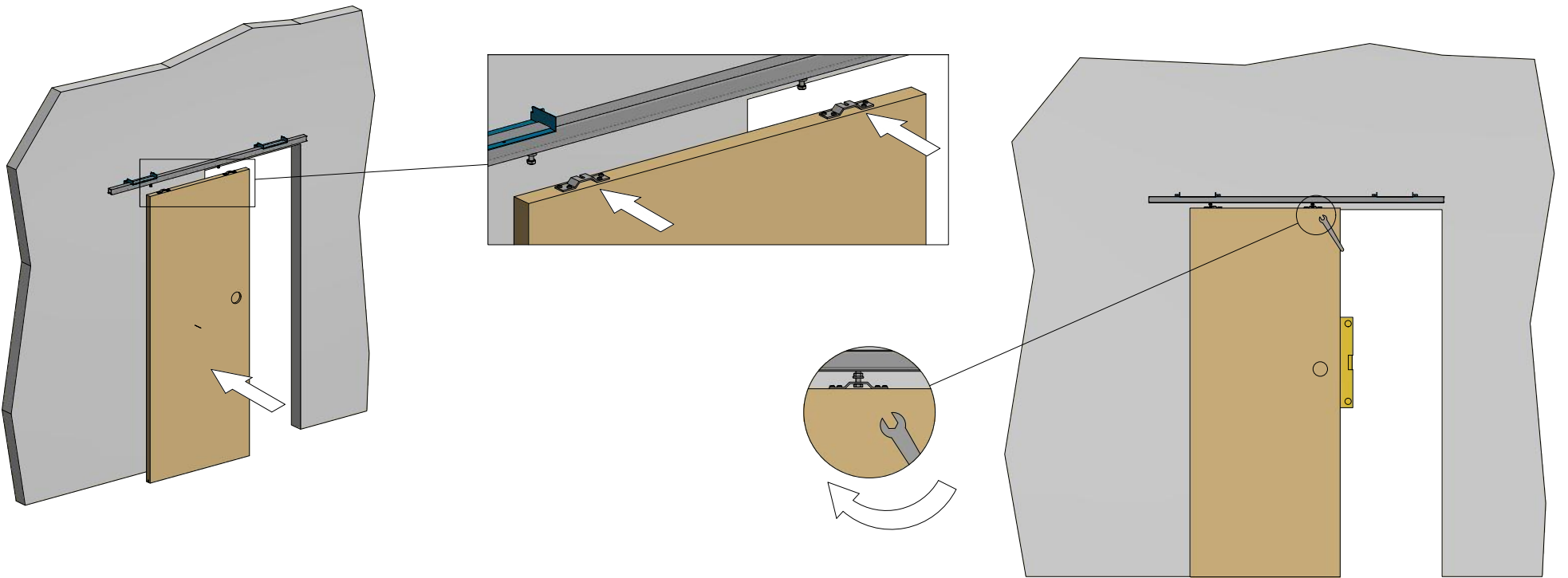
5



6



7



8

